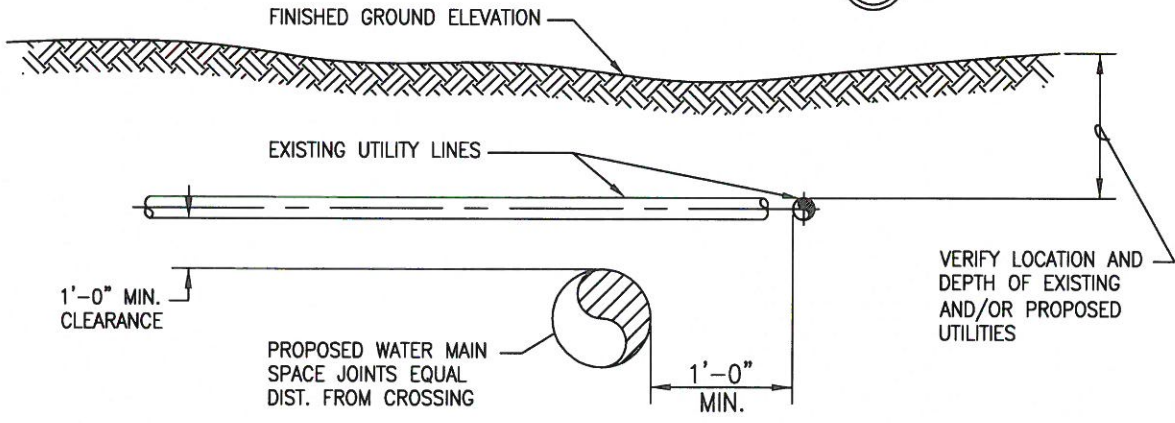
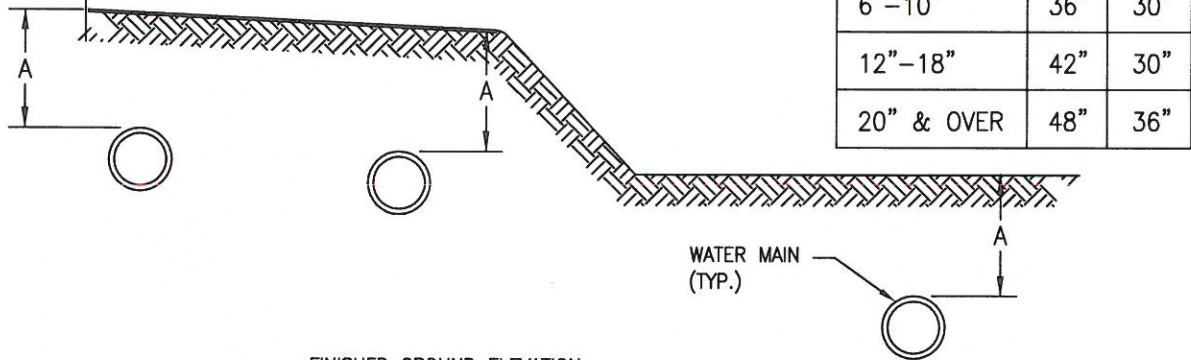



PIPE SIZE	A	B
6"-10"	36"	30"
12"-18"	42"	30"
20" & OVER	48"	36"



NOTES:

1. IN THE CASE OF CONFLICTS WITH OTHER UTILITIES ROUTE WATER MAINS UNDER CONFLICTING UTILITIES.
2. IN THE CASE OF CONFLICTS WITH SEWER LINES FOLLOW ECOLOGY REQUIREMENTS OR AS DIRECTED.



LDERWOOD
WATER & WASTEWATER
DISTRICT

MINIMUM STANDARD
DEPTH REQUIREMENTS

DATE: 11-2015

DWG. WD-1

APPROVED BY: DLH
DISTRICT ENGINEER