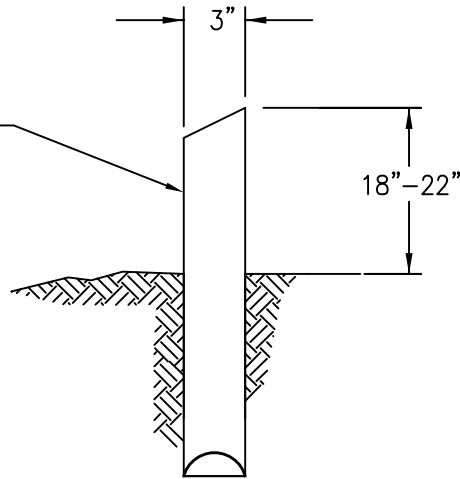
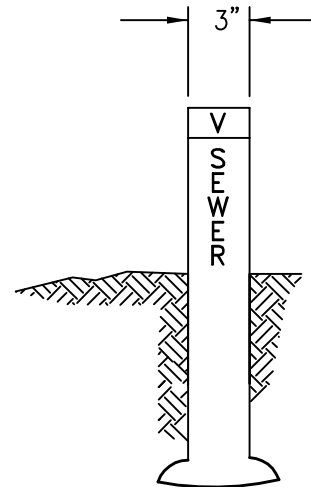


REINFORCED CONCRETE MARKER
POST STAMPED WITH "V" AND
DISTANCE TO VALVE TO THE
NEAREST FOOT STENCILLED WITH
WHITE 2" NUMERALS



SIDE



FRONT

VALVE MARKER POST

NOTES:

1. INSTALL AT ALL VALVES NOT LOCATED WITHIN PAVED AREA.
2. THE LETTER V AND THE WORD SEWER SHALL BE CAST IN THE FACE OF THE MARKER FACING THE VALVE WITH THE DISTANCE TO THE VALVE PAINTED ON THE MARKER WITH WHITE ENAMEL PAINT.
3. PAINT THE ABOVE GROUND PORTION WITH 2 COATS OF GREEN PAINT SPECIFIED BY DISTRICT.
4. MARKERS SHALL BE DIRECT BURY.
5. 66" CARSONITE, HANSON TRI-FLEX, OR EQUAL MAY BE USED UPON APPROVAL BY THE DISTRICT.



ALDERWOOD
WATER & WASTEWATER
DISTRICT

SEWER VALVE MARKER POST

DATE: 11-2015

DWG. S-13

APPROVED BY: DLH
DISTRICT ENGINEER