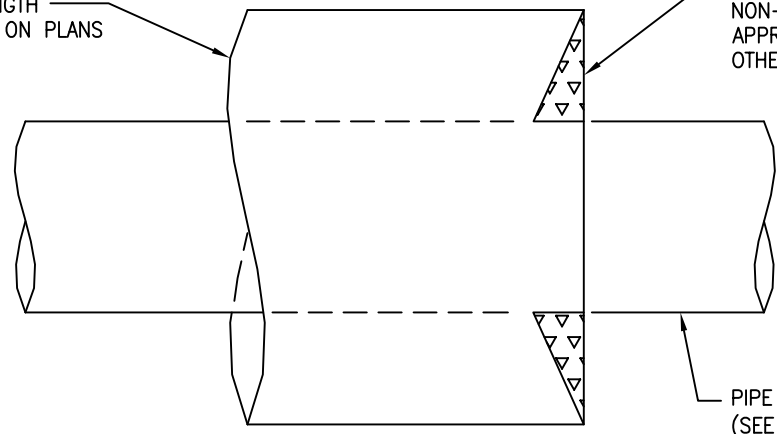


CASING LENGTH
AS SHOWN ON PLANS

SEAL ENDS OF CASING WITH
NON-SHRINK GROUT OR
APPROVED EQUAL UNLESS
OTHERWISE DIRECTED.

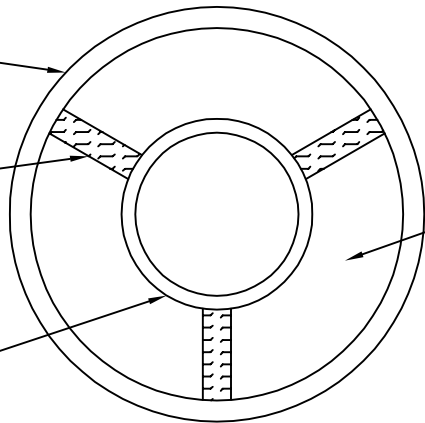


CASING
(SEE NOTE 3)

CASING SPACER
(SEE NOTE 4)

PIPE
(SEE NOTE 2)

ANNULAR FILLER
(SEE NOTE 5)




CASING TABLE	
PIPE DIAMETER	MIN. CASING DIAMETER
6	12
8	15
10	18
12	20
15	24
>15	AS SPECIFIED

TABLE FOR REFERENCE ONLY

NOTES:

1. COMPLY WITH ALL REGULATORY REQUIREMENTS OF JURISDICTIONAL AUTHORITY.
2. PIPE SHALL BE DUCTILE IRON RESTRAINED JOINT OR HIGH DENSITY POLYETHYLENE WITHIN CASING. REFER TO DIV. 6 - 2.040 CARRIER PIPE
3. CASING SHALL BE STEEL OR APPROVED EQUAL. REFER TO DIV. 6 - 2.030 CASING PIPE.
4. CASING SPACERS SHALL BE STAINLESS STEEL AND INSTALLED PER DIV. 6 - 2.030.
5. ANNULAR FILLER SHALL BE SAND OR AS APPROVED, INCLUDING METHOD OF FILLING.



ALDERWOOD
WATER & WASTEWATER
DISTRICT

TYPICAL CASING DETAIL

DATE: 11-2015

DWG. TI-1

APPROVED BY: DLH
DISTRICT ENGINEER