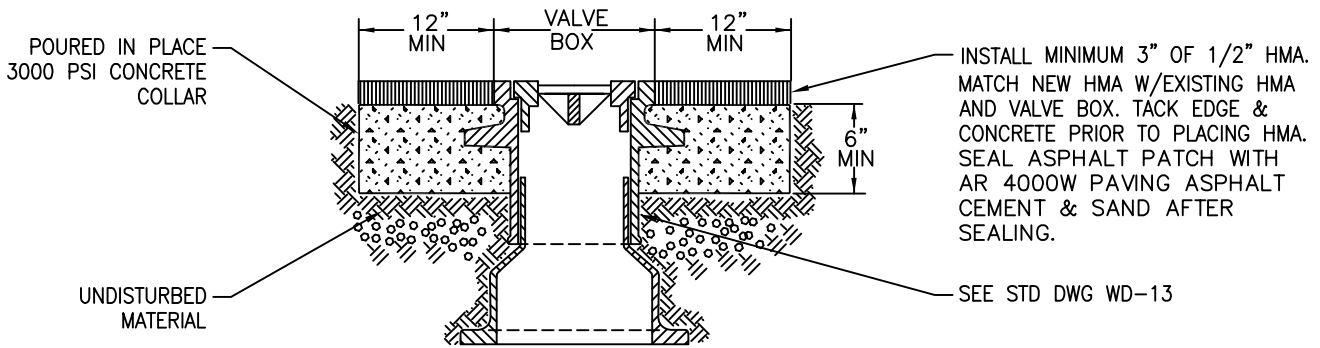
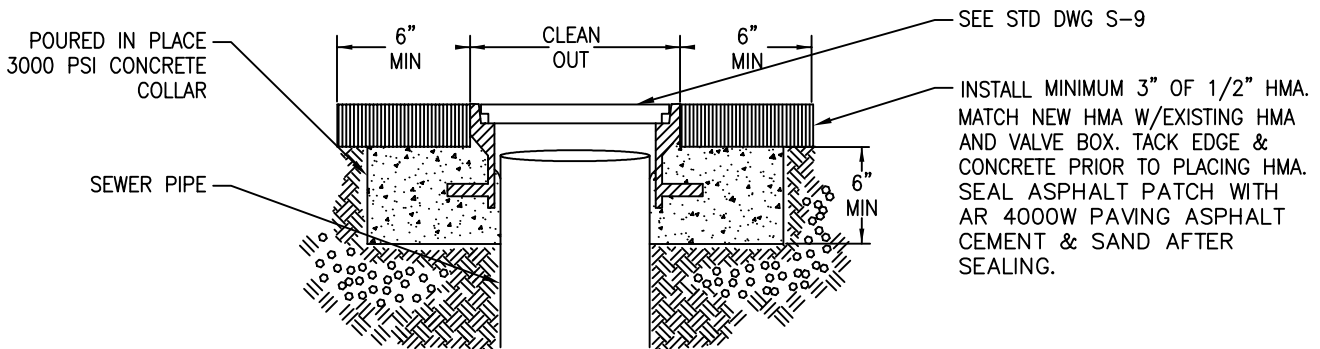


MANHOLE FRAME & COVER



VALVE BOX



LAMPHOLE / CLEAN-OUT

NOTES:

1. A CONCRETE COLLAR IS REQUIRED ON ALL INSTALLATIONS. IN UNIMPROVED OR UNPAVED AREAS, INSTALL THE CONCRETE COLLAR TO FINISH GRADE AS FOLLOWS:

- MANHOLE: 6 FT DIA. 6 IN THICK
- VALVE BOX: 3 FT DIA. 4 IN THICK
- LAMPHOLE/CLEAN-OUT: 2 FT DIA. 6 IN THICK

UNLESS OTHERWISE DIRECTED BY THE DISTRICT.

2. IF MARKER POST IS REQUIRED, SEE DETAIL WD-18 OR S-5.



CASTING ADJUSTMENTS

DATE: 11-2015

DWG. TBR-6

APPROVED BY: _____ DLH
DISTRICT ENGINEER